

# MC Series

## Milk Coolers



Keep your school cafeteria well stocked with cold, refreshing milk for the lunch-time rush with these Avantco milk coolers! These units come with one stainless steel fold down door and flip-top lid to give students and cafeteria staff easy access to the interior, while a lock with keys prevents theft and tampering during off-hours. To keep milk between 35 and 40 degrees Fahrenheit, they feature a cold wall style refrigeration system with an adjustable thermostat with digital readout on the back of the cooler.



- Digital thermostat read-out
- Exterior: white powder coated steel
- Interior: corrosion-resistant 304 stainless steel
- Temperature range: 35-40°F
- Cold wall refrigeration system
- ETL and ETL Sanitation Listed; NSF Compliant, 115V



## Features

- Holds up to (12) milk crates
- Digital thermostat read-out
- Capacity: 18.4 cubic feet
- Exterior: white powder coated steel
- Interior: corrosion-resistant 304 stainless steel
- (4) Heavy duty casters
- Temperature range: 35-40°F
- Cold wall refrigeration system
- ETL and ETL Sanitation Listed; NSF Compliant

## Technical Data

### Dimensions

Exterior Dimensions (W x D x H)	49.0" x 30.625" x 41.375"
Interior Dimensions (W x D x H)	45.875" x 27" x 25.875"
Net Volume (Cubic Ft)	18.4 ft <sup>3</sup>
Net Weight (lbs.)	319.67 lbs.

### Cooling

Temperature Range	35°F - 40°F
Ambient Temperature	78.8°F
Refrigerant	R134a
Defrosting	Manual
Temperature Display	Yes
Temperature Controller	Digital
Horsepower	1/5

### Construction

Capacity	12 Crates (approx. 576 cartons)
Exterior Material	White Powder Coated Steel
Interior Material	304 Stainless Steel
Shelf Material	Plastic Coated Steel

### Electrical

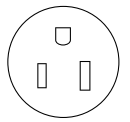
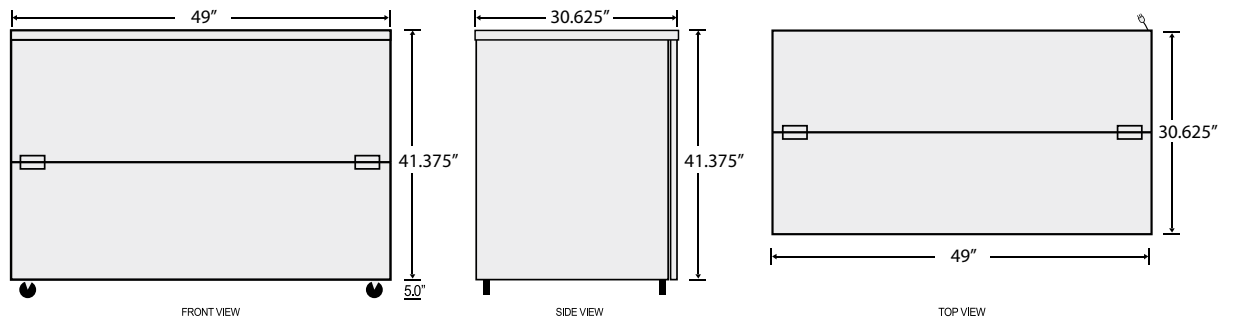
Voltage	115V
Amps	4.5
Phase	1
Electrical Cord Length	96"
NEMA Plug	5-15P



Keep your school cafeteria well stocked with cold, refreshing milk for the lunch-time rush with this Avantco MC-49 49" milk cooler! This unit comes with a 403 stainless steel fold down door and flip-top lid to give students and cafeteria staff easy access to the interior, while a lock with keys prevents theft and tampering during off-hours. To keep milk between 35 and 40 degrees Fahrenheit, it features a cold wall style refrigeration system with 1/5 hp compressor, and an adjustable thermostat with digital readout on the back of the cooler. You'll also love its cleanability, made easy with a 304 stainless steel interior that resists corrosion, and a bottom drain plug to remove any spills!

ETL and ETL Sanitation Listed; NSF Compliant, 115V, comes with an 8' cord and NEMA 5-15P plug.

## Plan View



NEMA 5-15P



All Avantco Refrigerators and Freezers are backed by a 1 year parts and labor warranty, with a 5 year warranty on the compressor. For warranty inquiries or service, first locate the serial number plate on the front of the unit, or inside the door jamb. Next, call 1-800-678-5517. Be sure to have the serial and model numbers available when contacting service technicians.