

A19 Series

REFRIGERATION
AVANTCO

Narrow Depth Reach-In Refrigerator and Freezers



- Narrower than standard models make these units great for tight areas where space is limited
- High quality stainless steel exterior
- Digital temperature controls with LCD Display
- ETL Safety & ETL Sanitation Listed



178A19R - Narrow Depth One Section Solid Door Reach-In Refrigerator

Product Features

- Narrower than standard models, great for tight aisles
- Digital temperature control with LCD display
- 19 cu. ft. capacity
- 430 stainless steel exterior; painted aluminum interior
- Self-closing door with hold-open feature
- Maintains food temperatures between 32° and 41°F
- 115V, 1/4HP
- ETL and ETL Sanitation Listed

Technical Data

Dimensions

Exterior Dimensions <small>with casters</small>	29"W x 25 1/2"D x 82 1/2"H
Interior Dimensions	24"W x 20 1/2"D x 53"H
Net Volume (cu. ft.)	19 cu. ft.
Net Weight	239 lbs.
Packaging Dimensions	31"W x 31"D x 85"H

Cooling

Temperature Range	32° - 41°F
Refrigerant	R-134A
Max. Ambient Temperature	90°F
Defrosting	Automatic
Temperature Display	LCD
Temperature Controller	Digital
Horsepower	1/4

Construction

Exterior Material	430 series stainless steel
Interior Material	Painted aluminum
Insulation Material	Foamed in place polyurethane
Shelf Material	Plastic coated steel
Shelf load capacity	90 lbs.

Electrical

Voltage	115V
Amps	5.4
Hz	60
Phase	1
Plug Type	NEMA 5-15P
Electrical Cord Length	96"

A quality refrigerator is one of the most vital parts of any foodservice operation, and with this Avantco A-19R solid door narrow depth 29" refrigerator, you receive performance you can depend on, along with many innovative standard features to make your kitchen run more smoothly! A 430 series stainless steel door and exterior give it a sleek appearance and long-lasting durability, while the painted aluminum interior looks clean and bright.

Narrower in depth than standard units, this refrigerator is great for tight areas where aisle space is limited. For smaller kitchens and storage areas, this unit provides 19 cu. ft. of great cold storage yet measures only 28" front to back!

Its bottom-mounted refrigeration system allows easier use by raising the height of the bottom shelf so you bend over less during loading and unloading. This design also lets the refrigerator draw in cooler air for more efficient operation and makes it easier to access the refrigeration system when maintenance is required. Other helpful features include a self-closing door with a hold open feature, a door lock, and 3 adjustable plastic-coated steel shelves.

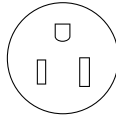
This refrigerator offers 19 cu. ft. of interior storage space and has a powerful 1/4 hp refrigeration system that circulates environmentally safe R-134A refrigerant. To allow greater temperature control, this unit has a digital controller with an easy-to-read LCD display. Foamed-in polyurethane insulation keeps your A-19R unit energy efficient.

Maintaining your unit and the surrounding area is easy. With four casters, two locking, you can secure this unit in place during regular use or move it away from the wall for cleaning. In addition, the automatic defrost keeps your unit's evaporator operating as efficiently as possible while limiting the need for maintenance.

178A19R - Narrow Depth One Section Solid Door Reach-In Refrigerator

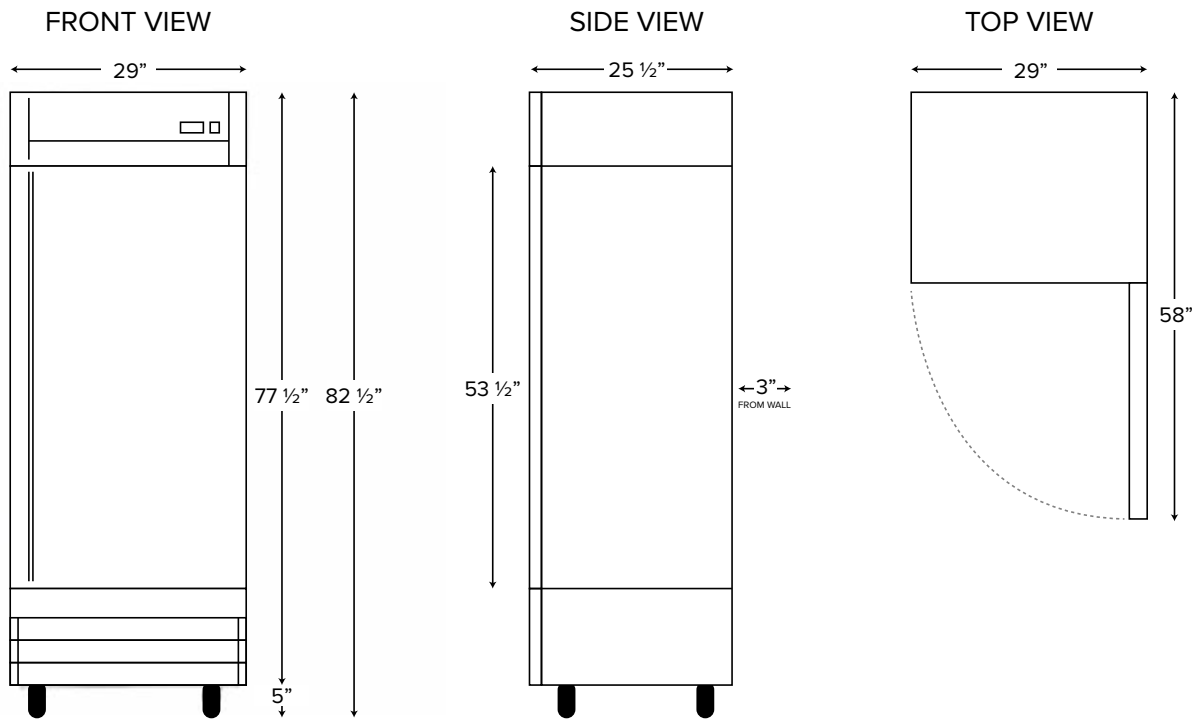


www.AvantcoRefrigeration.com



NEMA 5-15P

Plan View



Warranty Information

This item is backed by a 1 year parts and labor warranty with 5 year warranty on the compressor, unless otherwise stated. For warranty inquiries or service, first locate the model number (located on the front of the unit, or inside the door jamb) and the bold number on the service plate (located on the front of the unit). Next, call 1-800-678-5517. You must have the model number and service plate number when contacting service technicians.



Parts & Labor



Compressor

Failure to contact Avantco Refrigeration prior to obtaining equipment service may void your warranty.

Avantco Refrigeration will not warrant coverage for component failure or other damages that arise under the following conditions:

- Failure to install and/or use unit within proper operating conditions specified by Avantco Refrigeration
- Failure to properly maintain the unit. This includes, but is not limited to, basic preventative maintenance such as cleaning the condenser coil.
- Installation in a non-commercial or residential application
- Products sold or used outside of the United States

Additionally, no claims can be made against this warranty for spoilage of product, loss of sales or profits, or any other consequential damages.

Normal wear type parts, such as light bulbs and gaskets, are not included in warranty coverage.