

GDC Series

Glass Door Merchandisers

The GDC Series of merchandising refrigerators and freezers provides unlimited merchandising opportunities that boost impulse sales. Self closing, anti-fogging glass doors and high density polyurethane insulation are just a few of the features that make the GDC Series the best value on the market.



- Foamed-in-place high density polyurethane cell insulation
- ETL Safety approved
- Anti-fogging, self-closing glass doors



This two door glass door merchandiser is the perfect way to increase impulse sales at your convenience store, market, or deli. The merchandiser's clear glass doors draw attention to tempting grab and go like canned or bottled drinks, pre-wrapped sandwiches, or take out items like pre-packaged salads. It has a temperature range of 32° to 41° Fahrenheit.

Eight plastic coated steel shelves are included. Adjustable mounting brackets give you complete control over the merchandiser's shelving configuration, to accommodate a variety of different sized products.

The merchandiser's bottom mounted, 1/2 hp compressor uses R134a refrigerant. Foamed in place polyurethane cell insulation helps maintain interior temperatures. A top mounted cooling fan circulates air quickly throughout the merchandiser, regulating the internal temperature even when the refrigerator's self-closing doors are opened.

The double door glass door merchandising refrigerator has a 120V, 11.2 amp, 60 Hz. electrical rating, and is ETL Sanitation Listed and NSF Compliant.

Features

- Self closing doors
- 8 plastic coated steel shelves included
- Automatic defrosting
- 4 casters (two locking)
- Foamed in place polyurethane insulation
- Removable door gasket for easy cleaning
- Available in black or white
- ETL Sanitation Listed

Technical Data

Dimensions

Exterior Dimensions (W x D x H)	53.2" x 30.5" x 84"
Interior Dimensions (W x D x H)	50" x 28.5" x 62"
Net Volume (cu. ft.)	44.75 cu. ft.
Net Weight	440 lbs.
Packaging Dimensions (W x D x H)	54.5" x 33" x 84.5"

Cooling

Temperature Range	32° - 41° F
Refrigerant	R134a
Maximum Ambient Temperature Rating	100.4° F
Defrosting	Automatic
Temperature Display	No
Temperature Controller	Mechanical
Horsepower	1/2

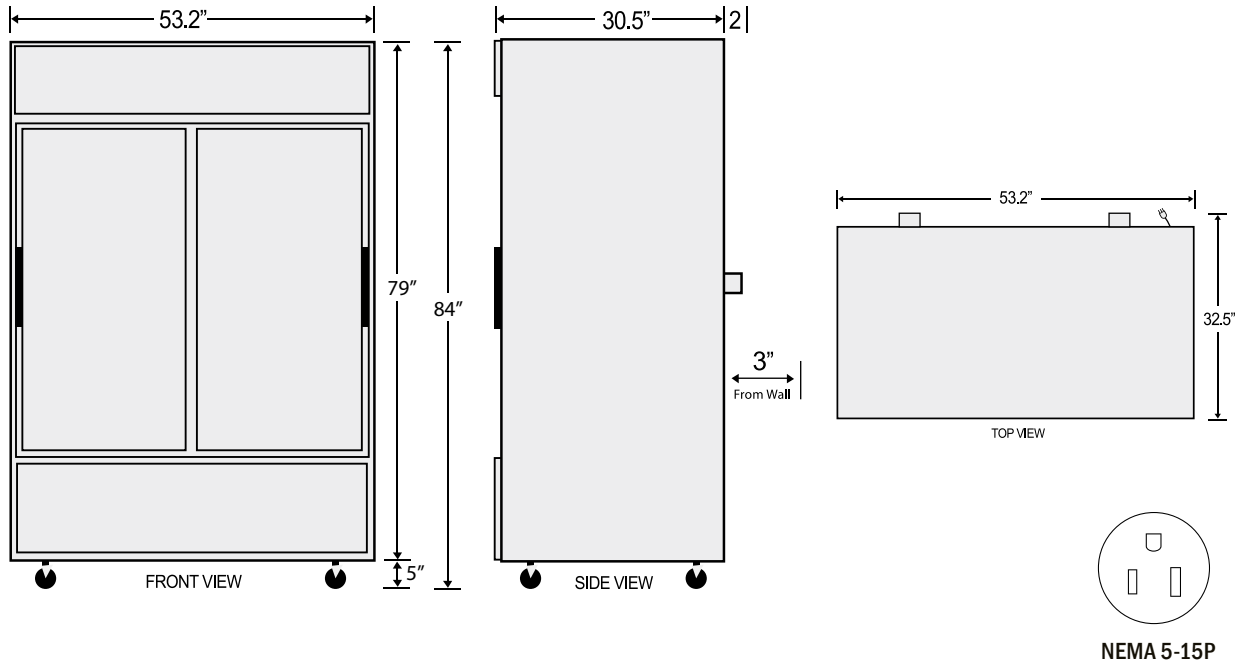
Construction

Housing Material	Painted Steel
Door/Lid Material	Glass Door
Insulation Material	Foamed in Place Polyurethane
Shelf Material	Plastic Coated Steel
Shelf Load Capacity	90 lbs.

Electrical

Voltage	120
Amps	11.2
Hz	60
Phase	1
Electrical Cord Length	96"

Plan View



All Avantco Refrigerators and Freezers are backed by a 1 year parts and labor warranty, with a 5 year warranty on the compressor. For warranty inquiries or service, first locate the serial number plate on the front of the unit, or inside the door jamb. Next, call 1-800-678-5517. Be sure to have the serial and model numbers available when contacting service technicians.