

UDD Series



Commercial Beer Dispensers



- Includes tap tower(s) and couplers to connect kegs
- Self-closing and lockable doors for added convenience
- Durable, 1 1/2" thick stainless steel top
- Choose from black or stainless steel finish
- Built-in compressor with R-134a refrigerant
- ETL and ETL Sanitation Listed, NSF Compliant

178UDD2448S - Double Tap Tower Commercial Beer Dispenser, Stainless Steel



Product Features

- Holds up to (2) 1/2 kegs
- Includes (2) "D" system keg couplers
- Double tap tower with 10 1/4" faucet height
- (2) Self-closing and locking doors
- Sleek stainless steel exterior
- 1 1/2" thick stainless steel top
- 1/3 HP compressor uses R-134a refrigerant

Technical Data

Dimensions

Exterior Dimensions	48 3/4"W x 24 1/2"D x 35 3/4"H
Interior Dimensions	36"W x 20 1/8"D x 31"H
Tap Tower Dimensions	16"H, 3" Diameter
Faucet Height	10 1/4"H
Net Weight	232 lbs.
Packaging Dimensions	51 1/4"W x 27 1/2"D x 42 3/8"H

Cooling

Temperature Range	33° - 41°F
Refrigerant	R-134a
Max. Ambient Temperature	90°F
Defrosting	Automatic
Temperature Display	Digital
Temperature Controller	Digital
Horsepower	1/3

Construction

Exterior Material	430 Series stainless steel
Interior Material	304 Series stainless steel
Insulation Material	Foamed in place polyurethane
Number of Taps	2
Number of Doors	2

Electrical

Voltage	120
Amps	6.4
Hz	60
Phase	1
Plug Type	NEMA 5-15P
Electrical Cord Length	96"

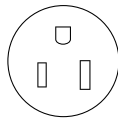
Whether you operate a pub, banquet hall, catering service, or facilitate other special events, this Avantco UDD-24-48 S/S beer dispenser is an excellent way to offer crisp, refreshing draft beer to your guests without investing in a complex built-in tap system! This unit features a double tap tower with a 10 1/4" faucet height that allows you to easily fill pint glasses and pitchers with local microbrews, international macrobrews, and everything in between. It holds (2) 1/2 kegs so you can stock up on one brew or offer customers a selection to choose from, and it even comes with (4) 17 1/2" x 18 1/4" shelves for optional bottle or can storage while concealing the product behind 2 solid doors. The doors themselves are not only self-closing to prevent potential energy loss, but also lock to prevent theft during off hours.

Unlike many competitive beer dispensers, this model ships with 2 couplers so that you can tap kegs right out of the box! This commercial kegerator features a sleek stainless steel finish and a 1 1/2" thick stainless steel top that is both durable and extremely simple to clean, while a built-in drip tray further expedites end-of-day cleaning. It has a 1/3 hp compressor that uses R-134a refrigerant, requires a 120V electrical connection for operation, and comes with a 8' cord and NEMA 5-15P plug. ETL and ETL Sanitation Listed. NSF Compliant.

178UDD2448S - Double Tap Tower Commercial Beer Dispenser, Stainless Steel

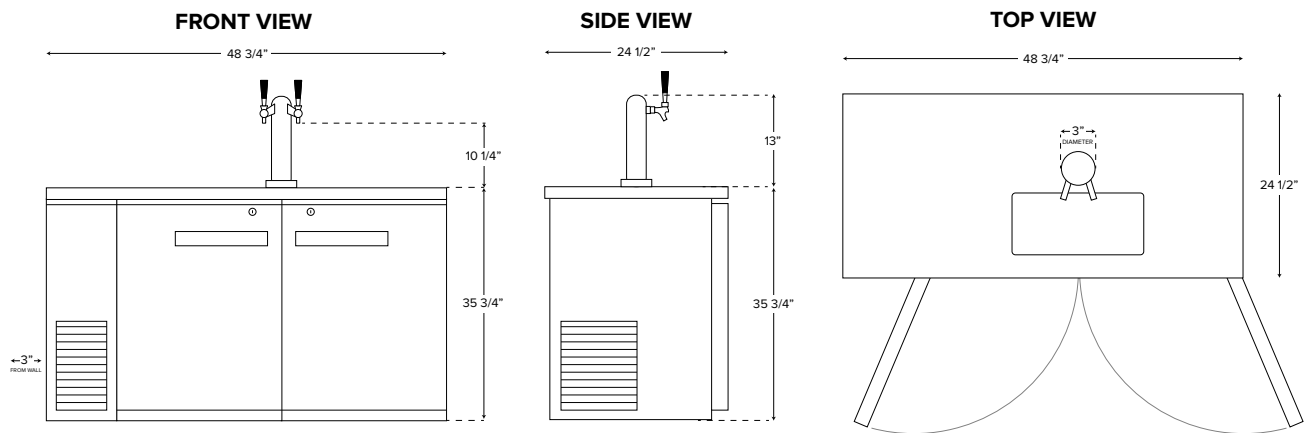


www.AvantcoRefrigeration.com



Plan View

NEMA 5-15P



Warranty Information

This item is backed by a 1 year parts and labor warranty with 5 year warranty on the compressor, unless otherwise stated. For warranty inquiries or service, first locate the model number (located on the front of the unit, or inside the door jamb) and the bold number on the service plate (located on the front of the unit). Next, call 1-800-678-5517. You must have the model number and service plate number when contacting service technicians.



Parts & Labor



Compressor

Failure to contact Avantco Refrigeration prior to obtaining equipment service may void your warranty.

Avantco Refrigeration will not warrant coverage for component failure or other damages that arise under the following conditions:

- Failure to install and/or use unit within proper operating conditions specified by Avantco Refrigeration
- Failure to properly maintain the unit. This includes, but is not limited to, basic preventative maintenance such as cleaning the condenser coil.
- Installation in a non-commercial or residential application
- Products sold or used outside of the United States

Additionally, no claims can be made against this warranty for spoilage of product, loss of sales or profits, or any other consequential damages.

Normal wear type parts, such as light bulbs and gaskets, are not included in warranty coverage.