

# SSPT Series Salad/Sandwich Prep Table

REFRIGERATION  
**AVANTCO**

MODEL #178SSPT71

[www.AvantcoRefrigeration.com](http://www.AvantcoRefrigeration.com)

## SSPT SERIES - SANDWICH & SALAD PREP

Ample prep space to create subs, salads, and sandwiches with convenient cold ingredient storage

### CABINET CONSTRUCTION

Heavy duty construction includes 430 type stainless steel exterior with a 304 type stainless steel interior and an overall 35¼" working height.

Foamed-in-place CFC- and HCFC-free polyurethane insulation enhances the structural strength of the cabinet and helps increase energy efficiency. Insulated lid helps maintain safe product temperatures.

Full length, 11½" deep cutting board for easy prep work.

3 doors feature easy-to-use recessed handles for quick interior access. Door stays open past 90° for easy loading, but will self-close under 90° to save energy.

### REFRIGERATION SYSTEM

Environmentally-safe R134a refrigerant. Rear-mounted condensing unit positioned for easy maintenance.

### SHELVING

3 epoxy-coated wire shelves accommodate up to 90 lb. each.

### MODEL FEATURES

Preprogrammed digital controller features auto-defrost function.

Top pain rail holds up to (18) 1/6 size, 6" deep food pans. Pan rail is air cooled from the bottom.

## SPECIAL FEATURES

- Top holds up to (18) 1/6 size, 6" deep food pans
- Full length, 3/4" thick, 11 1/2" deep cutting board for easy prep work
- Insulated lid helps maintain safe product temperatures
- Three self-closing swing doors with recessed handles
- 3 epoxy coated wire shelves
- 430 type stainless steel exterior and 304 type stainless steel interior
- Digital temperature controls hold at 33-40°F
- 115V, R134a refrigerant, 1/2 hp
- Pan rail is air cooled from the bottom



## WARRANTY

RESIDENTIAL: Avantco assumes no liability for parts or labor coverage for component failure, factory defect or any other damages for units installed in non-commercial foodservice or residential applications.



Parts & Labor



Compressor



# SSPT Series Salad/Sandwich Prep Table

MODELS #178SSPT71



[www.AvantcoRefrigeration.com](http://www.AvantcoRefrigeration.com)

## TECHNICAL DATA

### Dimensions

Exterior Dimensions	70 <sup>3</sup> / <sub>8</sub> "W x 31"D x 42 <sup>3</sup> / <sub>8</sub> "H
Interior Dimensions	66 <sup>1</sup> / <sub>2</sub> "W x 23 <sup>3</sup> / <sub>4</sub> "D x 23 <sup>1</sup> / <sub>2</sub> "H
Working Height	35 <sup>1</sup> / <sub>4</sub> "
Net Volume	18 cu. ft.
Net Weight	506 lb.
Gross Weight	583 lb.
Packaging Dimensions	74 <sup>3</sup> / <sub>4</sub> "W x 33 <sup>3</sup> / <sub>4</sub> "D x 45 <sup>1</sup> / <sub>2</sub> "H

### Cooling

Temperature Range	33°F - 40°F
Refrigerant	R134a
Max. Ambient Temperature	90°F
Defrosting	Automatic
Temperature Controller	Digital
Horsepower	1/2

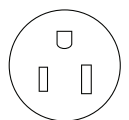
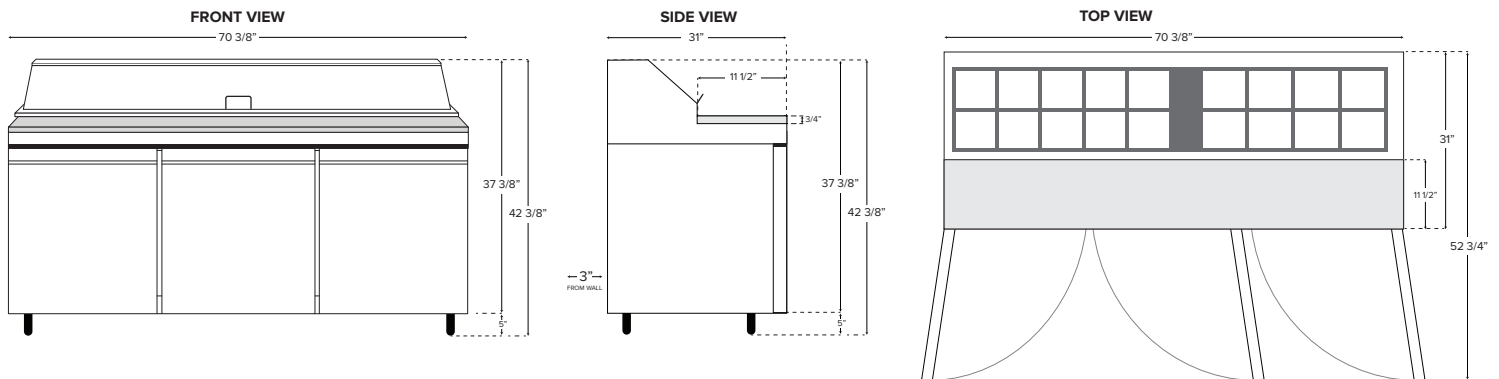
### Construction

Exterior Material	Type 430 Stainless Steel
Interior Material	Type 304 Stainless Steel
Insulation Material	Foamed-in -place polyurethane
Shelf Size	(3) 21 <sup>5</sup> / <sub>8</sub> " x 17 <sup>1</sup> / <sub>16</sub> "
Shelf Material	Epoxy-coated steel
Shelf Load Capacity	90 lb.

### Electrical

Voltage	115
Amps	8.8
Hz	60
Phase	1
Plug Type	NEMA 5-15P
Electrical Cord Length	84"

## PLAN VIEW



NEMA 5-15P