

SSPT Series Salad/Sandwich Prep Table MEGA TOP

MODEL #178SSPT60M

REFRIGERATION
AVANTCO

www.AvantcoRefrigeration.com

SSPT SERIES - SANDWICH & SALAD PREP

Ample prep space to create subs, salads, and sandwiches with convenient cold ingredient storage

CABINET CONSTRUCTION

Heavy duty construction includes 430 type stainless steel exterior with a 304 type stainless steel interior and an overall 35¼" working height.

Foamed-in-place CFC- and HCFC-free polyurethane insulation enhances the structural strength of the cabinet and helps increase energy efficiency. Insulated lid helps maintain safe product temperatures.

Full length, 8" deep cutting board for easy prep work.

2 doors feature easy-to-use recessed handles for quick interior access. Door stays open past 90° for easy loading, but will self-close under 90° to save energy.

REFRIGERATION SYSTEM

Environmentally-safe R134a refrigerant. Rear-mounted condensing unit positioned for easy maintenance.

SHELVING

2 epoxy-coated wire shelves accommodate up to 90 lb. each.

MODEL FEATURES

Preprogrammed digital controller features auto-defrost function.

Top pan rail holds up to (24) 1/6 size, 6" deep food pans. Pan rail is air cooled from the bottom.

SPECIAL FEATURES

- Top holds up to (24) 1/6 size, 6" deep food pans
- Full length, 3/4" thick, 8" deep cutting board for easy prep work
- Insulated lid helps maintain safe product temperatures
- Double self-closing swing doors with recessed handles
- 2 epoxy coated wire shelves
- 430 type stainless steel exterior and 304 type stainless steel interior
- Digital temperature controls hold at 33-40°F
- 115V, R134a refrigerant, 1/3 hp
- Pan rail is air cooled from the bottom



WARRANTY

RESIDENTIAL: Avantco assumes no liability for parts or labor coverage for component failure, factory defect or any other damages for units installed in non-commercial foodservice or residential applications.



Parts & Labor



Compressor



SSPT Series Salad/Sandwich Prep Table MEGA TOP

MODEL #178SSPT60M



www.AvantcoRefrigeration.com

TECHNICAL DATA

Dimensions

Exterior Dimensions	60¼"W x 35"D x 45⅞"H
Interior Dimensions	56¼"W x 23¾"D x 23½"H
Working Height	35¼"
Net Volume	15 cu. ft.
Net Weight	385 lb.
Gross Weight	451 lb.
Packaging Dimensions	64½"W x 33¾"D x 49"H

Cooling

Temperature Range	33°F - 40°F
Refrigerant	R134a
Max. Ambient Temperature	90°F
Defrosting	Automatic
Temperature Controller	Digital
Horsepower	1/3

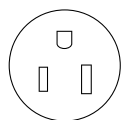
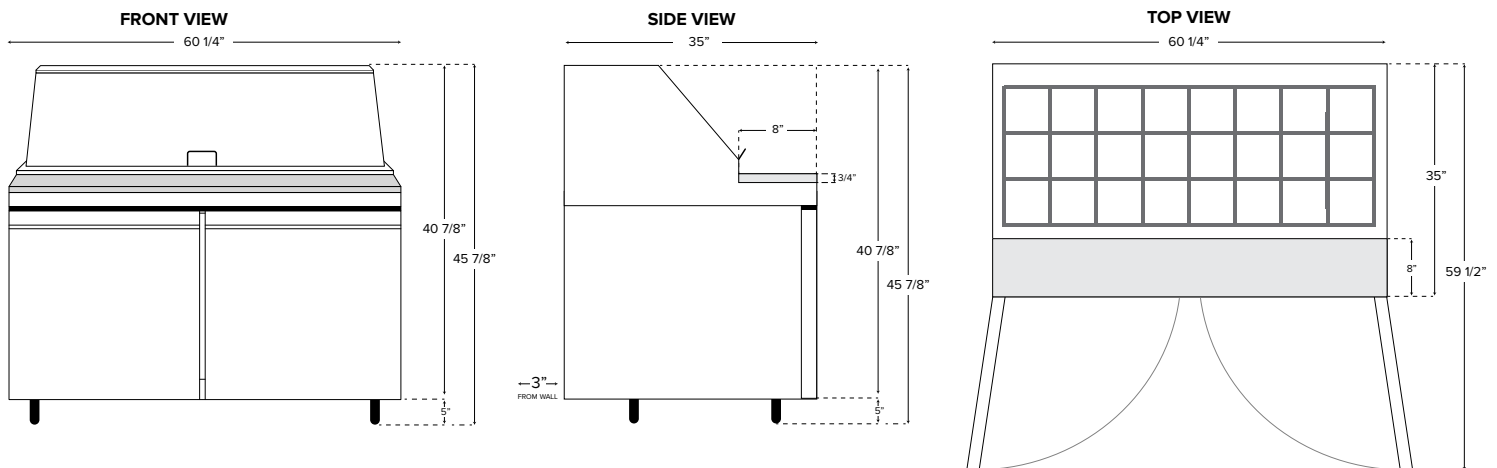
Construction

Exterior Material	Type 430 Stainless Steel
Interior Material	Type 304 Stainless Steel
Insulation Material	Foamed-in -place polyurethane
Shelf Size	(2) 27 ⁹ / ₁₆ " x 17 ¹ / ₁₆ "
Shelf Material	Epoxy-coated steel
Shelf Load Capacity	90 lb.

Electrical

Voltage	115
Amps	7.8
Hz	60
Phase	1
Plug Type	NEMA 5-15P
Electrical Cord Length	84"

PLAN VIEW



NEMA 5-15P