

SSPT Series Salad/Sandwich Prep Table

REFRIGERATION
AVANTCO

MODEL #178SSPT36

www.AvantcoRefrigeration.com

SSPT SERIES - SANDWICH & SALAD PREP

Ample prep space to create subs, salads, and sandwiches with convenient cold ingredient storage

CABINET CONSTRUCTION

Heavy duty construction includes 430 type stainless steel exterior with a 304 type stainless steel interior and an overall 35¼" working height.

Foamed-in-place CFC- and HCFC-free polyurethane insulation enhances the structural strength of the cabinet and helps increase energy efficiency. Insulated lid helps maintain safe product temperatures.

Full length, 10½" deep cutting board for easy prep work.

2 doors feature easy-to-use recessed handles for quick interior access. Door stays open past 90° for easy loading, but will self-close under 90° to save energy.

REFRIGERATION SYSTEM

Environmentally-safe R134a refrigerant. Rear-mounted condensing unit positioned for easy maintenance.

SHELVING

2 epoxy-coated wire shelf accommodates up to 90 lb. each.

MODEL FEATURES

Preprogrammed digital controller features auto-defrost function.

Top pan rail holds up to (10) 1/6 size, 6" deep food pans. Pan rail is air cooled from the bottom.

SPECIAL FEATURES

- Top holds up to (10) 1/6 size, 6" deep food pans
- Full length, 3/4" thick, 10 1/2" deep cutting board for easy prep work
- Insulated lid helps maintain safe product temperatures
- Double self-closing swing doors with recessed handles
- 2 epoxy coated wire shelves
- 430 type stainless steel exterior and 304 type stainless steel interior
- Digital temperature controls hold at 33-40°F
- 115V, R134a refrigerant, 1/4 hp
- Pan rail is air cooled from the bottom



WARRANTY

RESIDENTIAL: Avantco assumes no liability for parts or labor coverage for component failure, factory defect or any other damages for units installed in non-commercial foodservice or residential applications.



Parts & Labor



Compressor



SSPT Series Salad/Sandwich Prep Table

MODELS #178SSPT36



www.AvantcoRefrigeration.com

TECHNICAL DATA

Dimensions

Exterior Dimensions	36¼"W x 31"D x 42⅜"H
Interior Dimensions	32¼"W x 23¾"D x 23½"H
Working Height	35¼"
Net Volume	9 cu. ft.
Net Weight	242 lb.
Gross Weight	297 lb.
Packaging Dimensions	40½"W x 33¾"D x 45½"H

Cooling

Temperature Range	33°F - 40°F
Refrigerant	R134a
Max. Ambient Temperature	90°F
Defrosting	Automatic
Temperature Controller	Digital
Horsepower	1/4

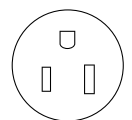
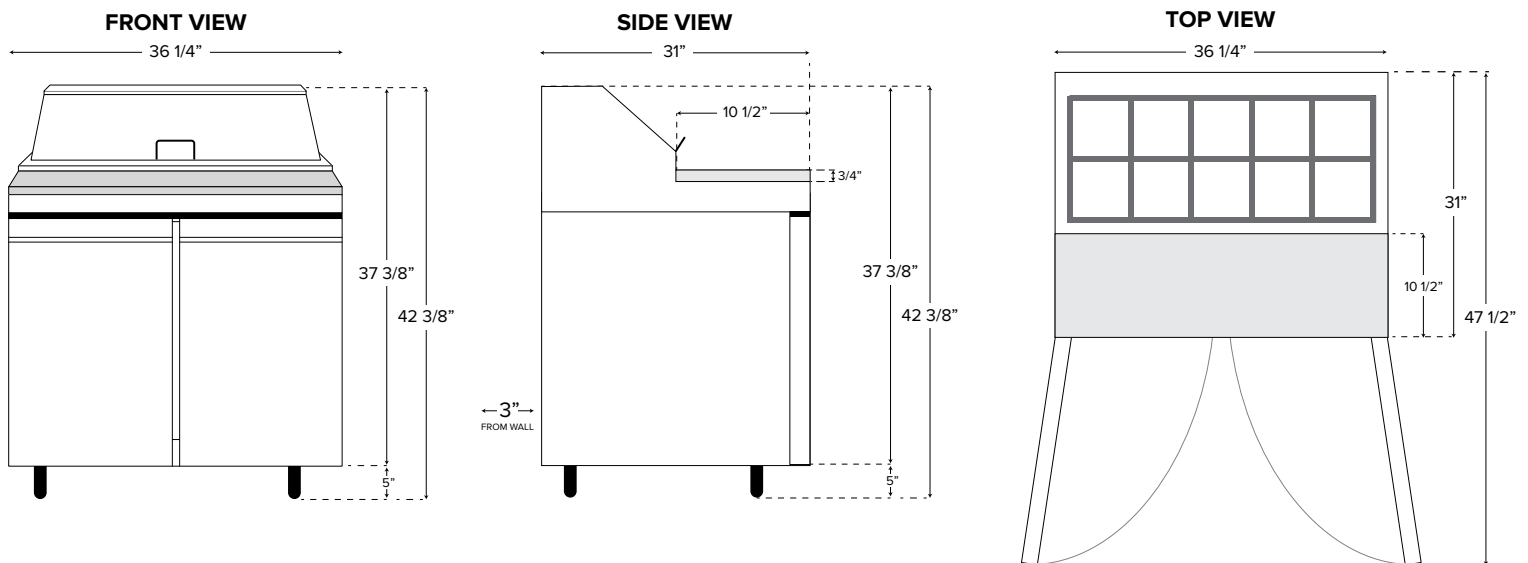
Construction

Exterior Material	Type 430 Stainless Steel
Interior Material	Type 304 Stainless Steel
Insulation Material	Foamed-in-place polyurethane
Shelf Size	(2) 15⅞" x 17⅙"
Shelf Material	Epoxy-coated steel
Shelf Load Capacity	90 lb.

Electrical

Voltage	115
Amps	4.6
Hz	60
Phase	1
Plug Type	NEMA 5-15P
Electrical Cord Length	84"

PLAN VIEW



NEMA 5-15P