

A Series Sandwich & Salad Prep Table

MODEL #178APT48

REFRIGERATION
AVANTCO

www.AvantcoRefrigeration.com

A SERIES - SANDWICH & SALAD PREP TABLE

Add prep space and cold ingredient storage.

CABINET CONSTRUCTION

Features 430 type stainless steel exterior and painted aluminum interior. Overall working height is 35¼".

Foamed-in-place CFC- and HCFC-free polyurethane insulation enhances the structural integrity of the cabinet. Insulated lid helps maintain safe product temperatures.

Full-length, 11½" deep cutting board for easy prep work.

Doors feature easy-to-use, recessed handle for quick interior access. Doors stay open past 90° for easy loading, but will self-close under 90° to save energy.

REFRIGERATION SYSTEM

Environmentally-safe R134a refrigerant. Rear-mounted condensing unit positioned for easy maintenance.

SHELVING

2 epoxy-coated wire shelves accommodate up to 90 lb. each.

MODEL FEATURES

Preprogrammed digital controller features auto-defrost function.

Top pan rail holds up to (12) ½ size, 6" deep food pans. Pan rail is air cooled from the bottom.

SPECIAL FEATURES

- Sleek, stainless steel exterior
- Painted aluminum interior maintains temperatures from 33-40°F
- Top holds up to (12) ½ size, 6" deep food pans (sold separately)
- Full length, 11½" deep cutting board
- Insulated lid helps maintain safe product temperatures
- Double self-closing swing doors with recessed handles
- 115V, ⅓ hp, R-134a refrigerant



WARRANTY

RESIDENTIAL: Avantco assumes no liability for parts or labor coverage for component failure, factory defect or any other damages for units installed in non-commercial foodservice or residential applications.



Parts & Labor



Compressor



A Series Sandwich & Salad Prep Table



www.AvantcoRefrigeration.com

MODELS #178APT48

TECHNICAL DATA

Dimensions

Exterior Dimensions	46 ³ / ₄ "W x 31"D x 42 ³ / ₈ "H
Interior Dimensions	42 ⁷ / ₈ "W x 23 ³ / ₄ "D x 23 ¹ / ₂ "H
Working Height	35 ¹ / ₄ "
Cutting Board Dimensions	46 ⁵ / ₈ "W x 11 ¹ / ₂ "D x ³ / ₄ "H
Net Volume	12 cu. ft.
Net Weight	297 lb.
Gross Weight	348 lb.
Pan Capacity	(12) ¹ / ₆
Packing Dimensions	51"W x 33 ³ / ₄ "D x 45 ¹ / ₂ "H

Construction

Exterior Material	Type 430 Stainless Steel
Interior Material	Painted Aluminum
Insulation Material	Foamed-in-place Polyurethane
Shelves	(2) 20 ³ / ₄ "W x 17 ¹ / ₁₆ "D
Shelf Material	Epoxy-coated Steel
Shelf Load Capacity	90 lb.

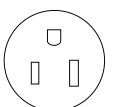
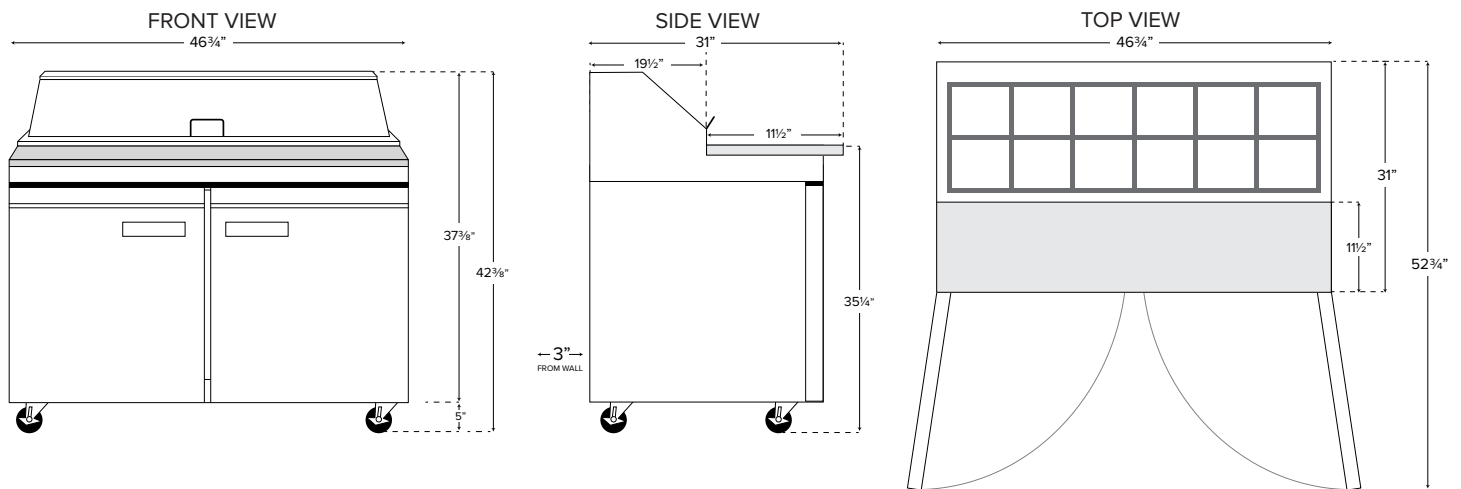
Cooling

Temperature Range	33°F - 40°F
Refrigerant	R134A
Max. Ambient Temperature	90°F
Defrosting	Automatic
Temperature Controller	Digital
Horsepower	1/3

Electrical

Voltage	115
Amps	7.8
Hz	60
Phase	1
Plug Type	NEMA 5-15P
Electrical Cord Length	84"

PLAN VIEW



NEMA 5-15P