

# A Series Pizza Prep Table

REFRIGERATION  
**AVANTCO**

[www.AvantcoRefrigeration.com](http://www.AvantcoRefrigeration.com)

**MODEL #178APPT71**

## A SERIES - PIZZA PREP TABLE

Add prep space and cold ingredient storage.

### CABINET CONSTRUCTION

Features 430 type stainless steel exterior and painted aluminum interior. Overall working height is 35 $\frac{1}{4}$ ".

Foamed-in-place CFC- and HCFC-free polyurethane insulation enhances the structural integrity of the cabinet. Insulated lid helps maintain safe product temperatures.

Full-length, 19 $\frac{7}{16}$ " deep cutting board for easy prep work.

Doors feature easy-to-use, recessed handles for quick interior access. Doors stay open past 90° for easy loading, but will self-close under 90° to save energy.

### REFRIGERATION SYSTEM

Environmentally-safe R134a refrigerant. Rear-mounted condensing unit positioned for easy maintenance.

### SHELVING

2 epoxy-coated wire shelves accommodate up to 90 lb. each.

### MODEL FEATURES

Preprogrammed digital controller features auto-defrost function.

Top pan rail holds up to (9)  $\frac{1}{3}$  size, 6" deep food pans. Pan rail is air cooled from the bottom.

## SPECIAL FEATURES

- Sleek, stainless steel exterior
- Painted aluminum interior maintains temperatures from 33-40°F
- Full length, 19 $\frac{7}{16}$ " deep cutting board
- Top holds up to (9)  $\frac{1}{3}$  size food pans up to 6" deep (sold separately)
- Insulated lids for better temperature retention
- Refrigerated base with (2) adjustable shelves included
- 115V,  $\frac{1}{3}$  hp, R134A refrigerant



## WARRANTY

RESIDENTIAL: Avantco assumes no liability for parts or labor coverage for component failure, factory defect or any other damages for units installed in non-commercial foodservice or residential applications.



Parts & Labor



Compressor



# A Series Pizza Prep Table

MODELS #178APPT71



[www.AvantcoRefrigeration.com](http://www.AvantcoRefrigeration.com)

## TECHNICAL DATA

### Dimensions

Exterior Dimensions	70 <sup>7</sup> / <sub>8</sub> "W x 36 <sup>7</sup> / <sub>8</sub> "D x 42 <sup>7</sup> / <sub>8</sub> "H
Interior Dimensions	48 <sup>3</sup> / <sub>8</sub> "W x 22 <sup>7</sup> / <sub>8</sub> "D x 26 <sup>1</sup> / <sub>8</sub> "H
Working Height	35 <sup>1</sup> / <sub>4</sub> "
Cutting Board Dimensions	70 <sup>5</sup> / <sub>8</sub> "W x 19 <sup>1</sup> / <sub>16</sub> "D x <sup>3</sup> / <sub>4</sub> "H
Net Volume	16 cu. ft.
Net Weight	418 lb.
Gross Weight	475 lb.
Pan Capacity	(9) <sup>1</sup> / <sub>3</sub>
Packing Dimensions	76"W x 36 <sup>1</sup> / <sub>2</sub> "D x 45 <sup>3</sup> / <sub>4</sub> "H

### Construction

Exterior Material	Type 430 Stainless Steel
Interior Material	Painted Aluminum
Insulation Material	Foamed-in-place Polyurethane
Shelves	(2) 23 <sup>5</sup> / <sub>8</sub> "W x 24 <sup>7</sup> / <sub>16</sub> "D
Shelf Material	Epoxy-coated Steel
Shelf Load Capacity	90 lb.

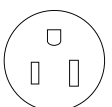
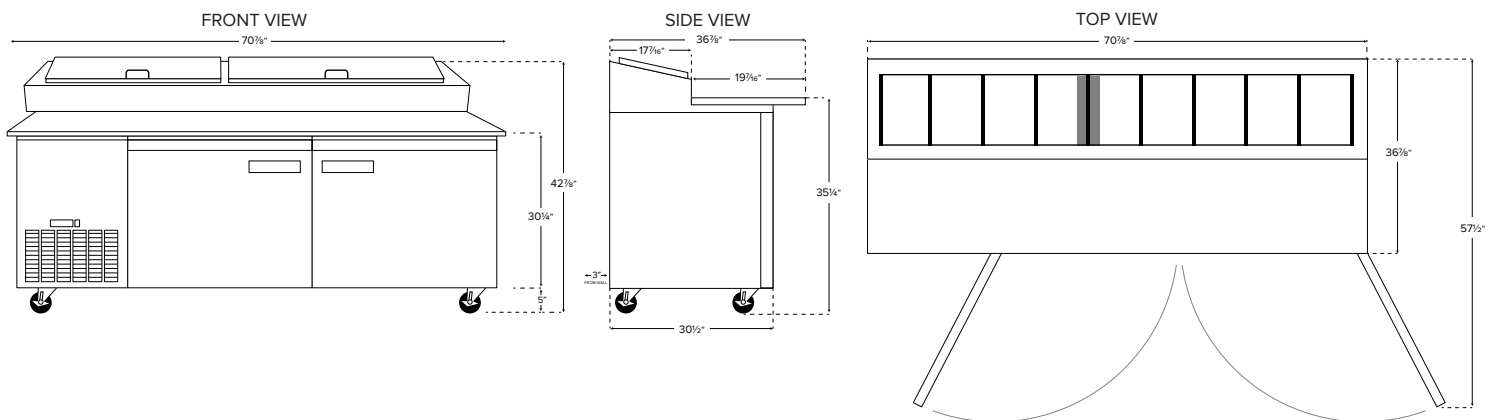
### Cooling

Temperature Range	33°F - 40°F
Refrigerant	R134A
Max. Ambient Temperature	90°F
Defrosting	Automatic
Temperature Controller	Digital
Horsepower	1/3

### Electrical

Voltage	115
Amps	9.8
Hz	60
Phase	1
Plug Type	NEMA 5-15P
Electrical Cord Length	84"

## PLAN VIEW



NEMA 5-15P